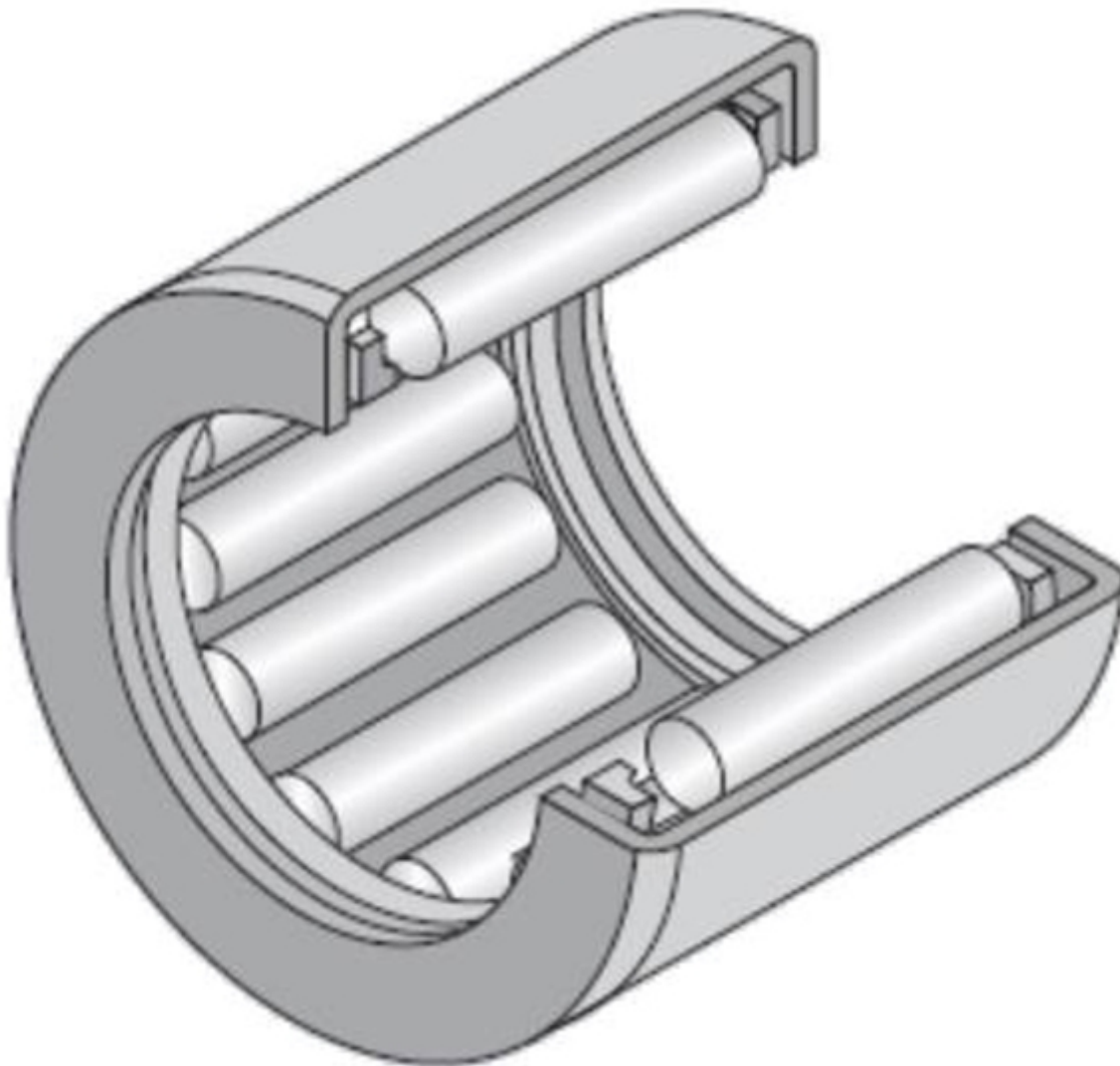


7E-HMK1725B



7E-HMK1725B Bearing dimensions and specification in NTN catalogue:

C	25 mm
D	24 mm
Cr	19.3 kN
Dw	2.5 mm
Fw	17 mm
Lw	20.8 mm
C0r	26.7 kN
EAN	4547359425079

Mass	0.03 kg
Brand	NTN

NTN 7E-HMK1725B NTN Drawn Cup Needle Roller Bearings Bearing Data Sheet:

Category	Roller Bearings
Inventory	0.0
Nlim (oil)	14,000 rpm
Nlim (grease)	9,500 rpm
Product Group	B04144
Manufacturer Name	NTN
Weight / Kilogram	0.029
Minimum Buy Quantity	N/A
Lubrication hole on outer ring	Non/No
Max operating temperature, Tmax	120 °C
Min operating temperature, Tmin	-20 °C
Characteristic cage frequency, FTF	0.44 Hz
Characteristic inner ring frequency, BPF1	7.9 Hz
Characteristic outer ring frequency, BPF0	6.1 Hz
Characteristic rolling element frequency, BSF	7.67 Hz