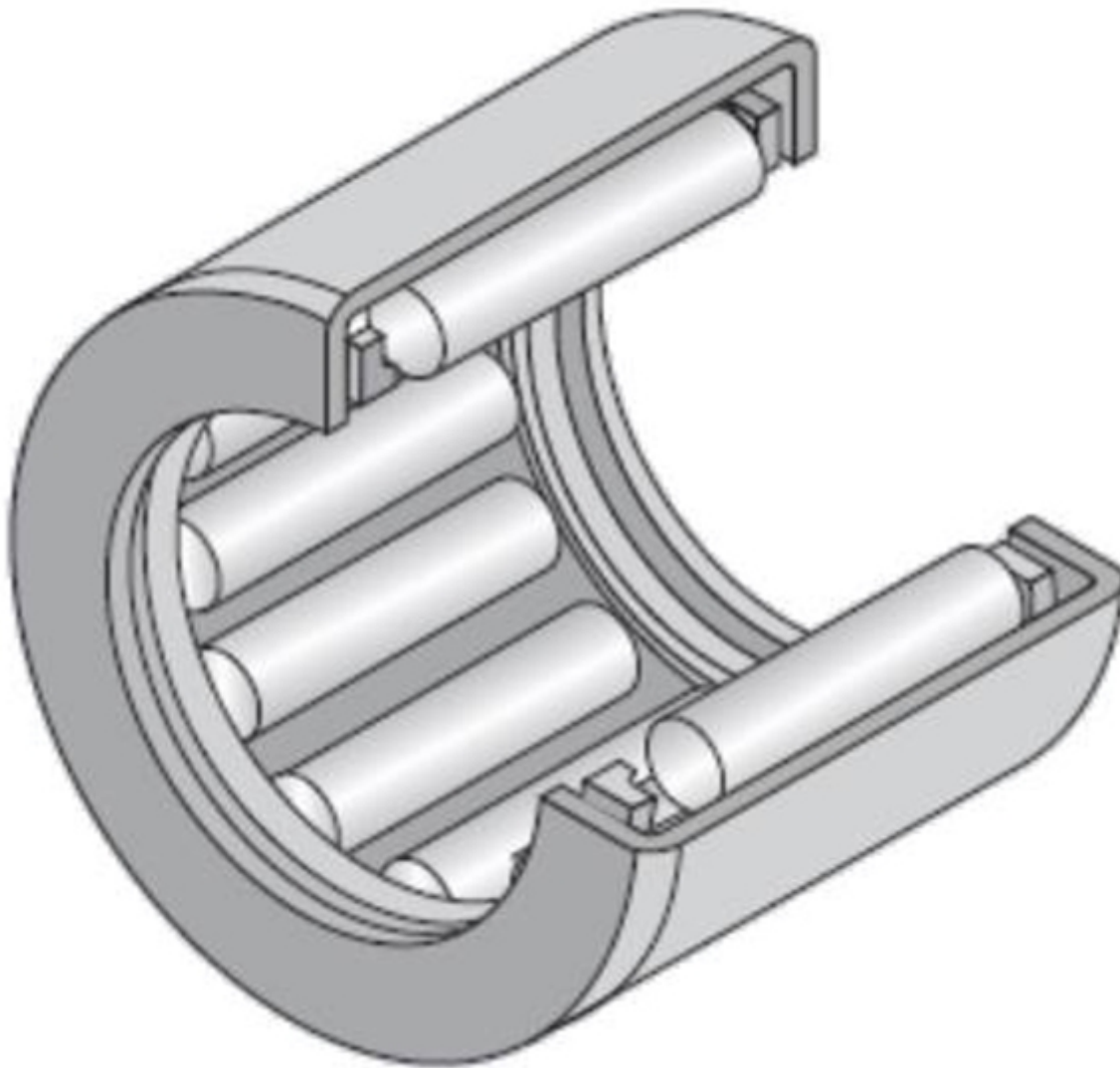


# HK0609FM



## HK0609FM Bearing dimensions and specification in NTN catalogue:

C	9 mm
D	10 mm
Cr	2.92 kN
Dw	1.5 mm
Fw	6 mm
Lw	5.3 mm
C0r	2.59 kN
EAN	0692314638248

Mass	0.0022 kg
Brand	NTN

## NTN HK0609FM NTN Drawn Cup Needle Roller Bearings Bearing Data Sheet:

Category	Bearings
Inventory	0.0
Nlim (oil)	37,000 rpm
Nlim (grease)	25,000 rpm
Product Group	B04144
Manufacturer Name	NTN
Weight / Kilogram	0
Minimum Buy Quantity	N/A
Lubrication hole on outer ring	Non/No
Max operating temperature, Tmax	120 °C
Min operating temperature, Tmin	-20 °C
Characteristic cage frequency, FTF	0.4 Hz
Characteristic inner ring frequency, BPF1	6 Hz
Characteristic outer ring frequency, BPF0	4 Hz
Characteristic rolling element frequency, BSF	4.8 Hz