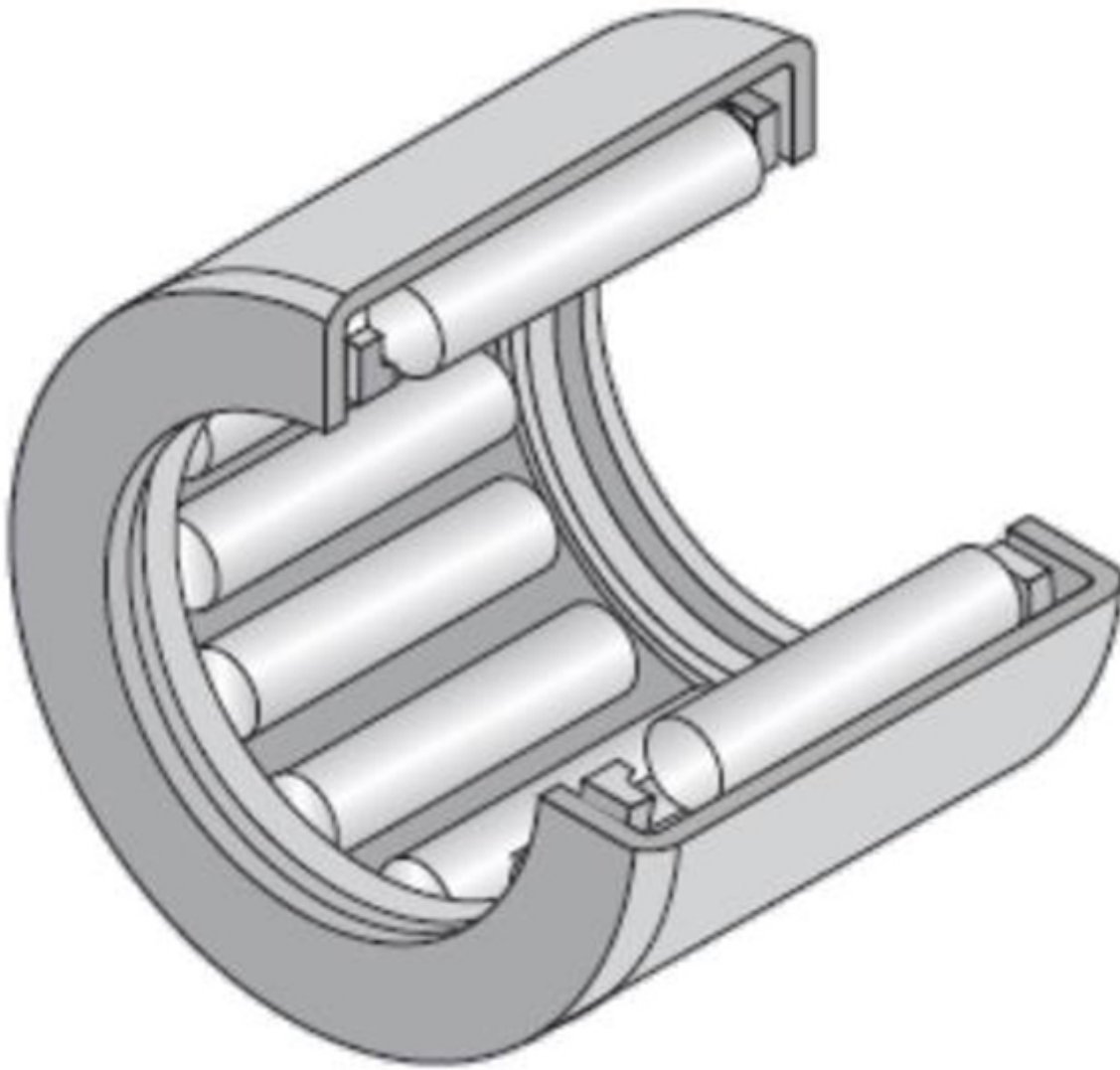


HK1012F



HK1012F Bearing dimensions and specification in NTN catalogue:

C	12 mm
D	14 mm
Cr	5.65 kN
Dw	1.5 mm
Fw	10 mm
Lw	8.3 mm
C0r	6.8 kN
Mass	0.0045 kg

Nlim (oil)	24,000 rpm
Nlim (grease)	16,000 rpm

NTN HK1012F NTN Drawn Cup Needle Roller Bearings Bearing Data Sheet:

Inner ring reference	IR7X10X16
Lubrication hole on outer ring	Non/No
Max operating temperature, Tmax	120 °C
Min operating temperature, Tmin	-20 °C
Characteristic cage frequency, FTF	0.44 Hz
Characteristic inner ring frequency, BPF1	8.48 Hz
Characteristic outer ring frequency, BPF0	6.52 Hz
Characteristic rolling element frequency, BSF	7.54 Hz