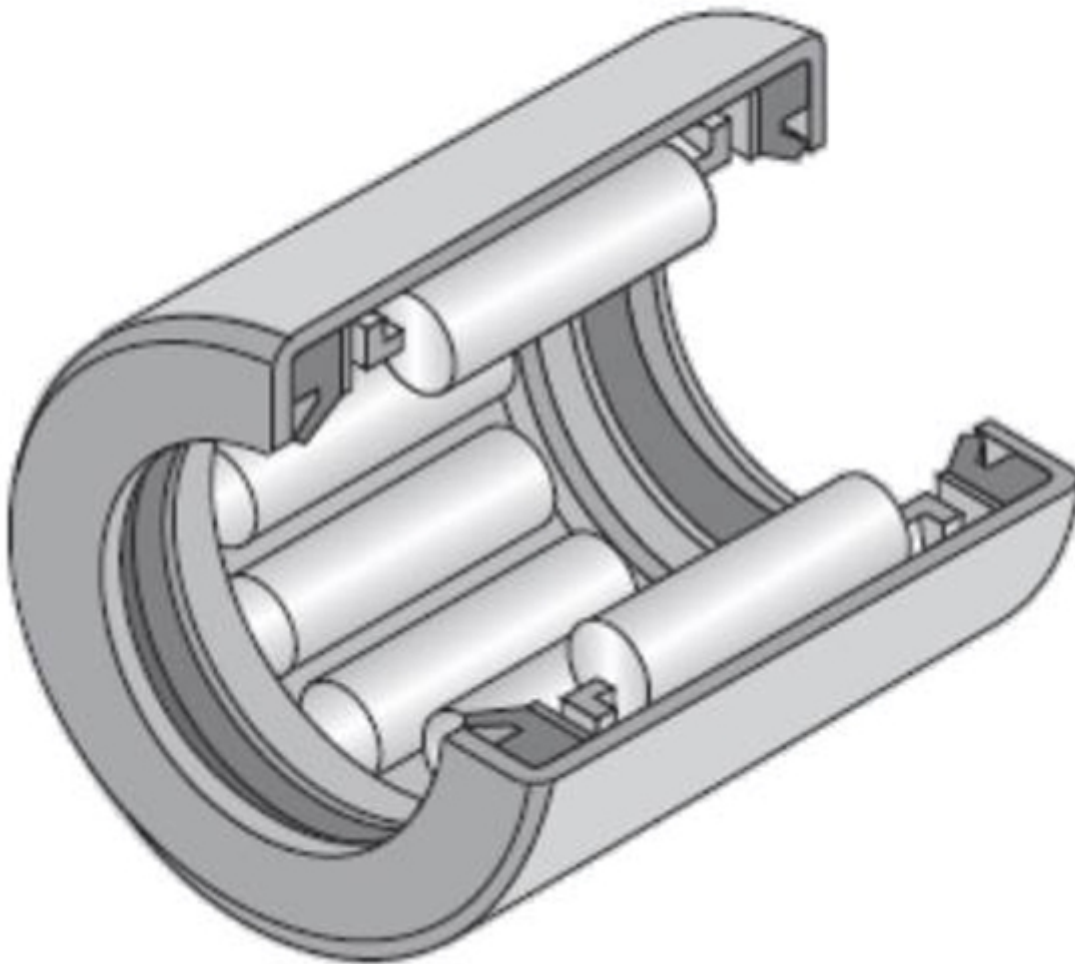


# HK2520LL/3AS



**HK2520LL/3AS Bearing dimensions and specification in NTN catalogue:**

D	32 mm
C2	20 mm
C3	2.7 mm
Cr	15.9 kN
Dw	2.5 mm
Fw	25 mm
Lw	11.3 mm
C0r	24 kN

Mass	0.03 kg
Brand	NTN

## NTN HK2520LL/3AS NTN Drawn Cup Needle Roller Bearings Bearing Data Sheet:

Category	Bearings
Inventory	0.0
Nlim (grease)	6,500 rpm
Product Group	B04144
Manufacturer Name	NTN
Weight / Kilogram	0.037
Inner ring reference	IR20X25X23
Minimum Buy Quantity	N/A
Lubrication hole on outer ring	Non/No
Max operating temperature, Tmax	120 °C
Min operating temperature, Tmin	-20 °C
Characteristic cage frequency, FTF	0.46 Hz
Characteristic inner ring frequency, BPF1	12 Hz
Characteristic outer ring frequency, BPF0	10 Hz
Characteristic rolling element frequency, BSF	10.91 Hz