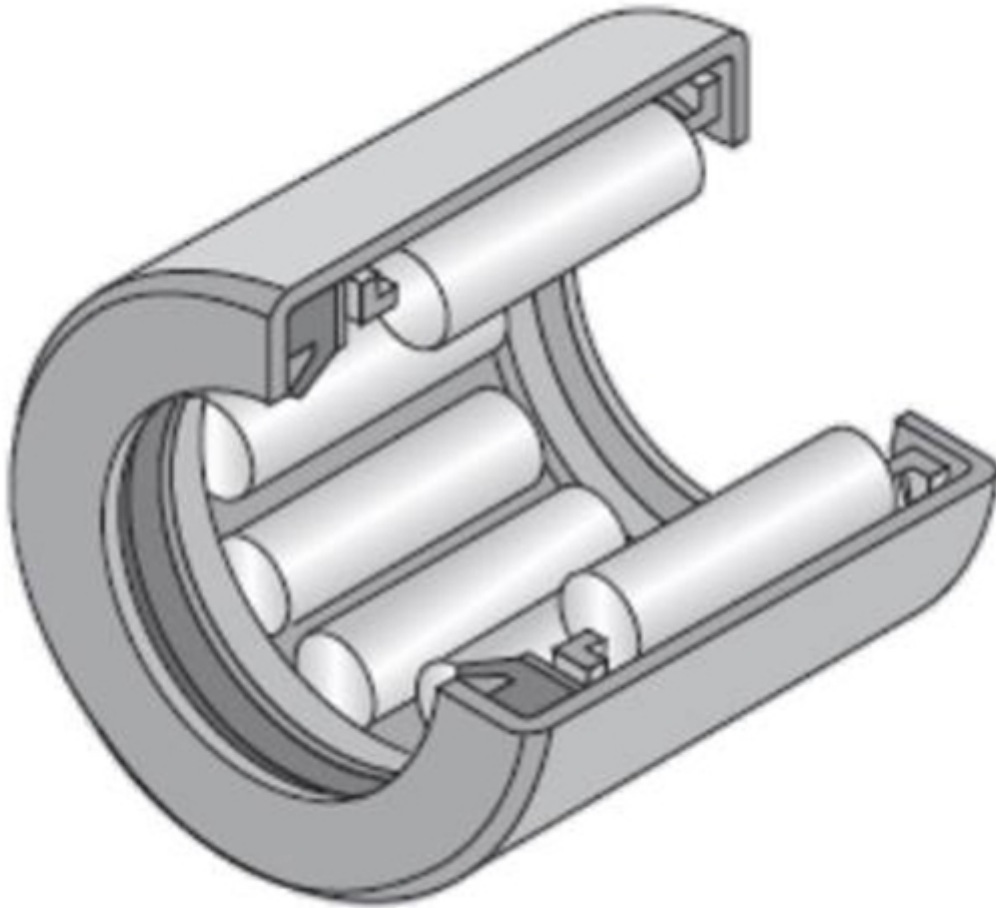


HMK0812L/3AS



HMK0812L/3AS Bearing dimensions and specification in NTN catalogue:

D	15 mm
C1	12 mm
Cr	3.8 kN
Dw	2.5 mm
Fw	8 mm
Lw	5.3 mm
C0r	2.87 kN
Mass	0.0071 kg

Brand	NTN
Category	Bearings

NTN HMK0812L/3AS NTN Drawn Cup Needle Roller Bearings Bearing Data Sheet:

Inventory	0.0
Nlim (grease)	10,000 rpm
Product Group	B04144
Manufacturer Name	NTN
Weight / Kilogram	0.013
Inner ring reference	IR5X8X16
Minimum Buy Quantity	N/A
Lubrication hole on outer ring	Non/No
Max operating temperature, Tmax	120 °C
Min operating temperature, Tmin	-20 °C
Characteristic cage frequency, FTF	0.38 Hz
Characteristic inner ring frequency, BPF1	4.33 Hz
Characteristic outer ring frequency, BPF0	2.67 Hz
Characteristic rolling element frequency, BSF	3.96 Hz