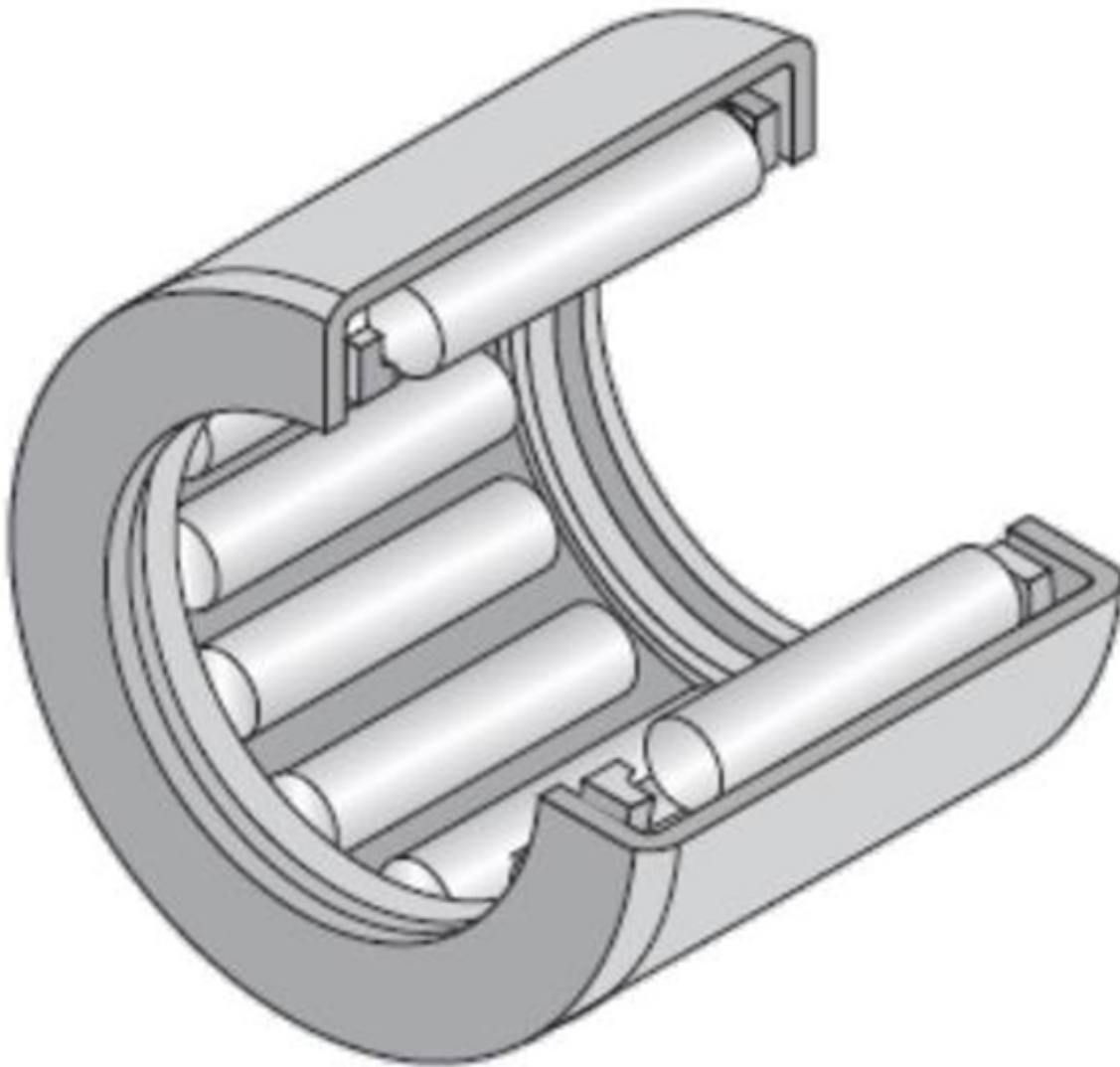


HMK1525V3



HMK1525V3 Bearing dimensions and specification in NTN catalogue:

C	25 mm
D	22 mm
Cr	18.5 kN
Dw	2.5 mm
Fw	15 mm
Lw	20.8 mm
C0r	25 kN
Mass	0.03 kg

Brand	NTN
Category	Bearings

NTN HMK1525V3 NTN Drawn Cup Needle Roller Bearings Bearing Data Sheet:

Inventory	0.0
Nlim (oil)	16,000 rpm
Nlim (grease)	11,000 rpm
Product Group	B04144
Manufacturer Name	NTN
Weight / Kilogram	0.031
Inner ring reference	No
Minimum Buy Quantity	N/A
Lubrication hole on outer ring	Non/No
Max operating temperature, Tmax	120 °C
Min operating temperature, Tmin	-20 °C
Characteristic cage frequency, FTF	0.43 Hz
Characteristic inner ring frequency, BPF1	7.43 Hz
Characteristic outer ring frequency, BPF0	5.57 Hz
Characteristic rolling element frequency, BSF	6.86 Hz