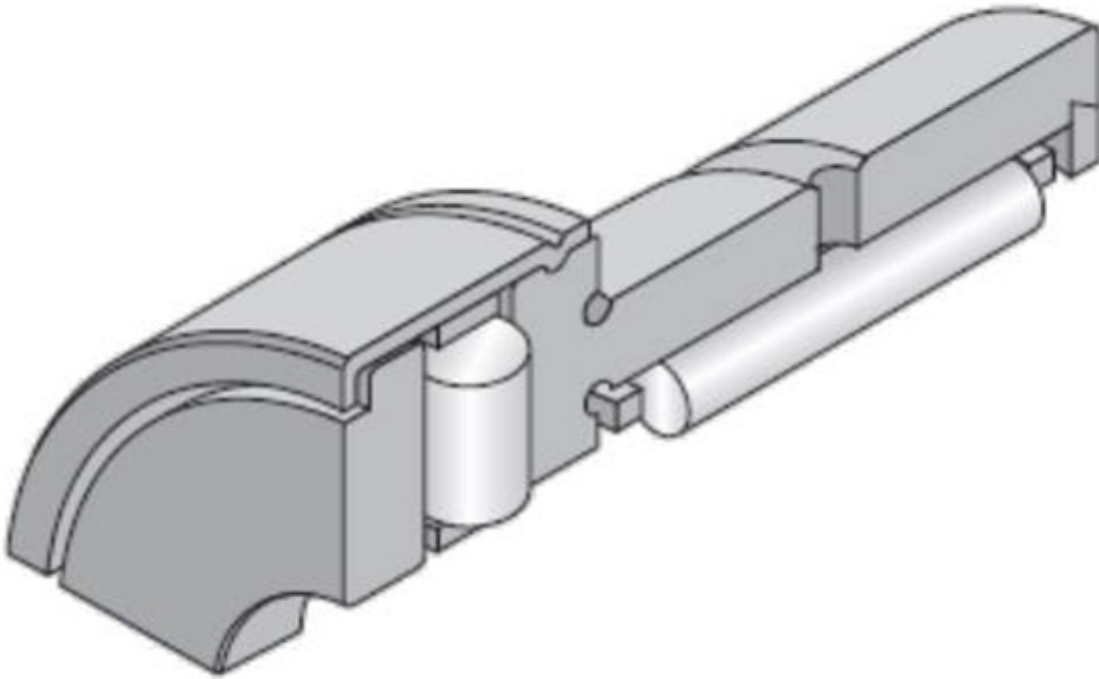


NKXR35T2Z



NKXR35T2Z Bearing dimensions and specification in NTN catalogue:

C	30 mm
D	47 mm
a	47.7 mm
C1	12 mm
C2	9 mm
Ca	31 kN
Cr	20 kN
D2	53 mm

Dw	2.5 mm
Fw	35 mm

NTN NKXR35T2Z Combined Bearings Bearing Data Sheet:

Lw	13.8 mm
dw	35 mm
C0a	87 kN
C0r	36 kN
Dw1	5 mm
Mass	0.2 kg
Brand	NTN
da min	49 mm
rs min	0.6 mm
ras max	0.6 mm
Category	Roller Bearings
Inventory	0.0
Nlim (oil)	5,500 rpm
Nlim (grease)	1,400 rpm
Product Group	B04144
Precision class	P0
Manufacturer Name	NTN
Weight / Kilogram	0.17
Minimum Buy Quantity	N/A
Lubrication hole on outer ring	Oui/Yes
Max operating temperature, Tmax	120 °C
Min operating temperature, Tmin	-20 °C