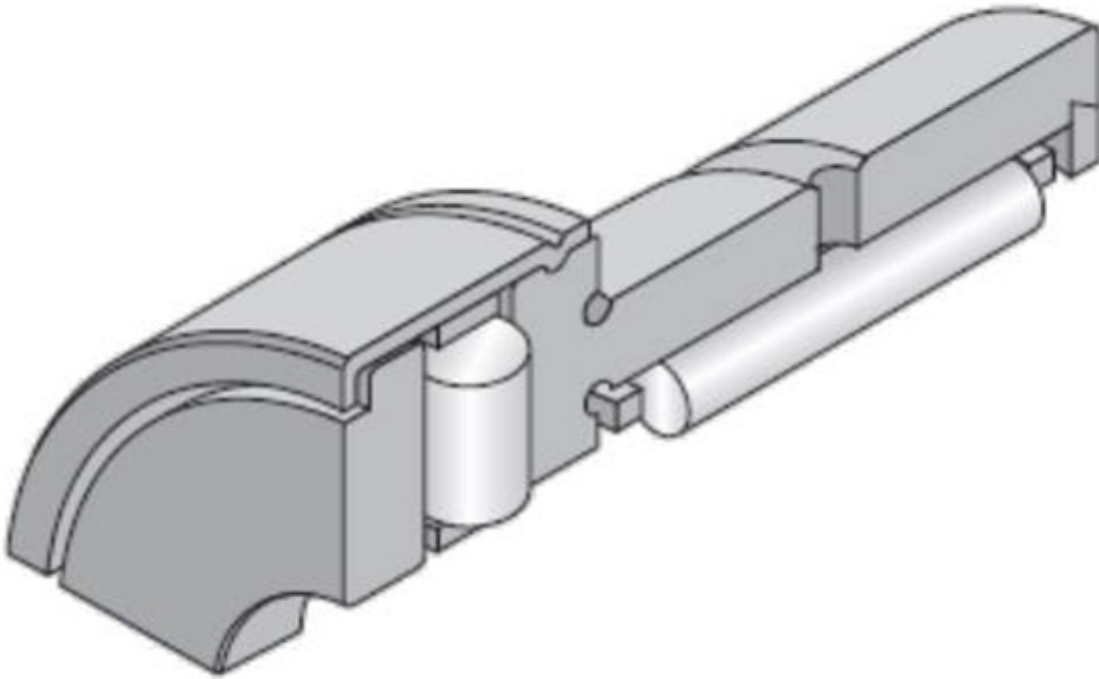


NKXR45T2Z



NKXR45T2Z Bearing dimensions and specification in NTN catalogue:

C	32 mm
D	58 mm
a	60.5 mm
k	3 mm
C1	14 mm
C2	9 mm
Ca	45.5 kN
Cr	27.6 kN

D2	66.5 mm
Dw	2.5 mm

NTN NKXR45T2Z Combined Bearings Bearing Data Sheet:

Fw	45 mm
Lw	15.3 mm
dw	45 mm
C0a	135 kN
C0r	59 kN
Dw1	6 mm
Mass	0.29 kg
Brand	NTN
da min	61 mm
rs min	0.6 mm
ras max	0.6 mm
Category	Bearings
Inventory	0.0
Nlim (oil)	4,400 rpm
Nlim (grease)	1,100 rpm
Product Group	B04144
Precision class	P0
Manufacturer Name	NTN
Weight / Kilogram	0.265
Minimum Buy Quantity	N/A
Lubrication hole on outer ring	Oui/Yes
Max operating temperature, Tmax	120 °C
Min operating temperature, Tmin	-20 °C